



CUSTOM SIZES AVAILABLE!

Stockton Custom Fabrication

877-786-2587

custom@StocktonProducts.com

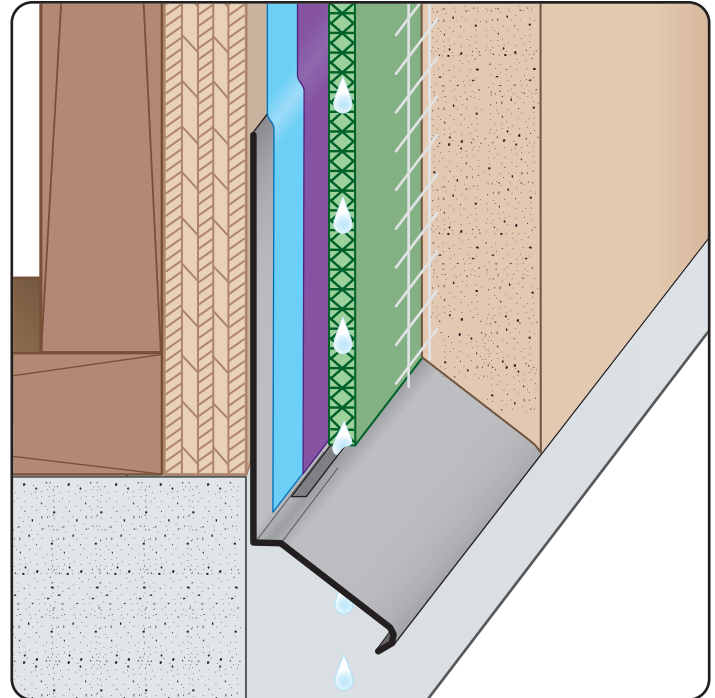


PRODUCTS™

TWSST: Tru-Weep™ Stucco Stop

- Custom Sizes Available, Contact Customer Service For Details
- SUPERIOR® Moisture Protection
- Available Curved Upon Request
- Available in Aluminum (A), Copper (C), Galvanized Steel (GS), Bonderized (BN), Galvalume® (GVM), Stainless Steel (SS) or Zinc (Z)

The Tru-Weep™ Stucco Stop is a single piece variation of the traditional weep screed that provides a plaster stop and weep function at the foundation line, and specifically designed to be used with drainage mat. Weep slots are located along the back of the sloped leg in alignment with the drainage mat to allow water to efficiently exit the stucco assembly.



Most Common Sizes

X Sizes: 1/2", 3/4", 7/8", 1" or 1 3/8"

Y Sizes: 3 1/2", 4 1/2" or 5"

Length: 120"

Materials And Finishes:

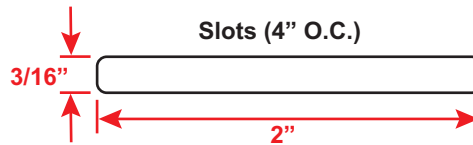
Details: stpro.us/MET

Aluminum (A), Copper (C), Galvanized Steel (GS), Bonderized (BN), Galvalume® (GVM), Stainless Steel (SS) or Zinc (Z)

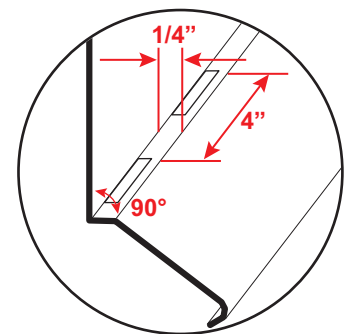
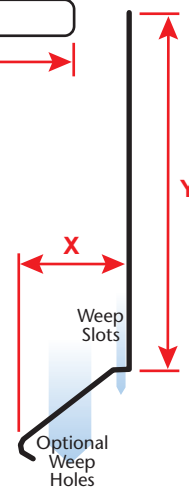
ASTM Codes:

Details: stpro.us/ASTM

All Accessories are fabricated from prime galvanized steel G90 zinc coating by the hot dipped method, conforming to steel and coating specification ASTM A-653/A-653M or zinc alloy meeting ASTM B-69. Stainless Steel A480/A480M A580M (Stainless Steel) For installation and placement instructions refer to ASTM C1063, C841 and C926.



SUPERIOR®
Moisture
Protection



QUOTE	Company: _____	QTY: _____	PO Number: _____
	Name: _____	Material/Gauge: _____	Job/Project: _____
	Address: _____	X Size: _____	Notes: _____
	City: _____	Y Size: _____	_____
	State/ZIP: _____	Length: _____	_____
	Phone: _____		_____
	eMail: _____		_____

877-786-2587 • StocktonProducts.com

