



CUSTOM SIZES AVAILABLE!

Stockton Custom Fabrication

877-786-2587

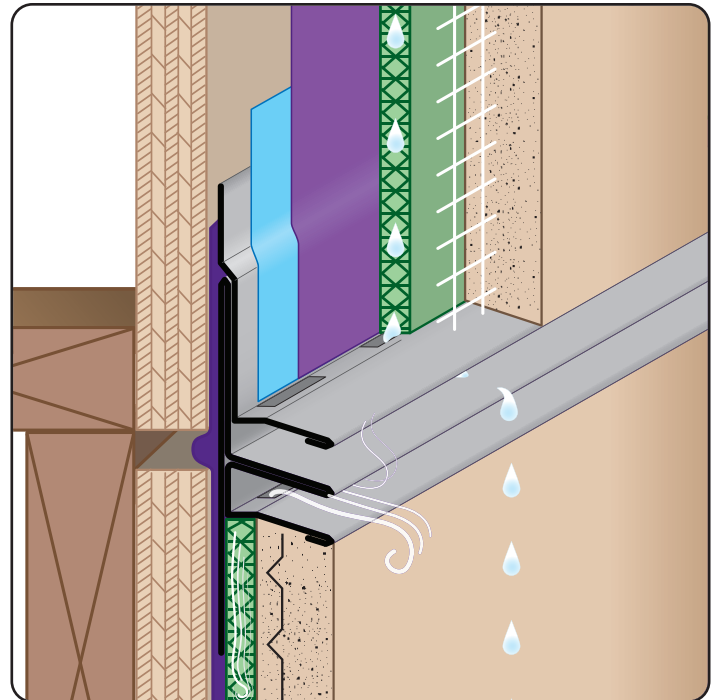
custom@StocktonProducts.com



TWMW: Tru-Weep™ Midwall Vent

- Custom Sizes Available, Contact Customer Service For Details
- Included 3/16 x 2" Weep Slots
- Available in Aluminum (A), Copper (C), Galvanized Steel (GS), Bonderized (BN), Galvalume® (GVM), Stainless Steel (SS) or Zinc (Z)
- Patent Pending

The Tru-Weep™ Midwall Vent is a two piece horizontal control joint specifically designed to be used with drainage mat. This unique design allows for the top of the wall to drain moisture, and the bottom of the wall to vent air at the same midwall reveal. Weep slots are located along the back of the sloped legs in alignment with the drainage mats to allow water and air to efficiently exit the stucco assembly.



Most Common Sizes

X Sizes: User Defined

Y Sizes: User Defined

Z Sizes: User Defined

Length: 120"

Materials And Finishes:

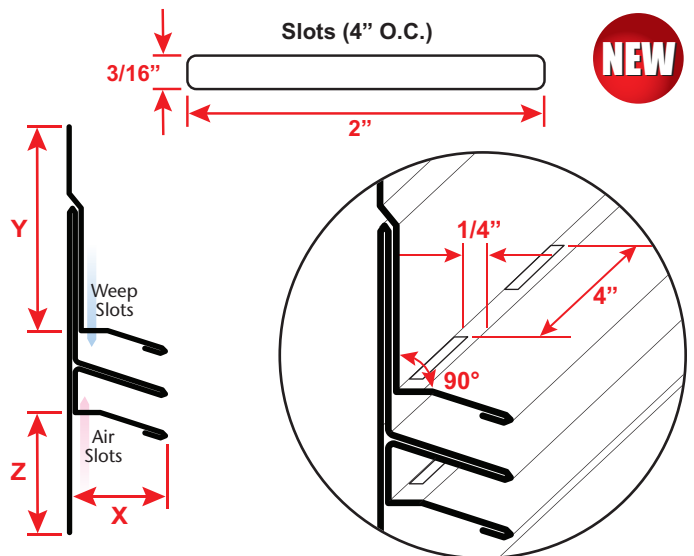
Details: stpro.us/MET

Aluminum (A), Copper (C), Galvanized Steel (GS), Bonderized (BN), Stainless Steel (SS) or Zinc (Z)

ASTM Codes:

Details: stpro.us/ASTM

All Accessories are fabricated from prime galvanized steel G90 zinc coating by the hot dipped method, conforming to steel and coating specification ASTM A-653/A-653M or zinc alloy meeting ASTM B-69. Stainless Steel A480/A480M A580M (Stainless Steel) For installation and placement instructions refer to ASTM C1063, C841 and C926.



QUOTE	Company: _____	QTY: _____	PO Number: _____
	Name: _____	Material/Gauge: _____	Job/Project: _____
	Address: _____	X Size: _____	Notes: _____
	City: _____	Y Size: _____	_____
	State/ZIP: _____	Z Size: _____	_____
	Phone: _____	Length: _____	_____
	eMail: _____		_____

877-786-2587 • StocktonProducts.com

