



**CUSTOM SIZES AVAILABLE!**

Stockton Custom Fabrication

877-786-2587

custom@StocktonProducts.com



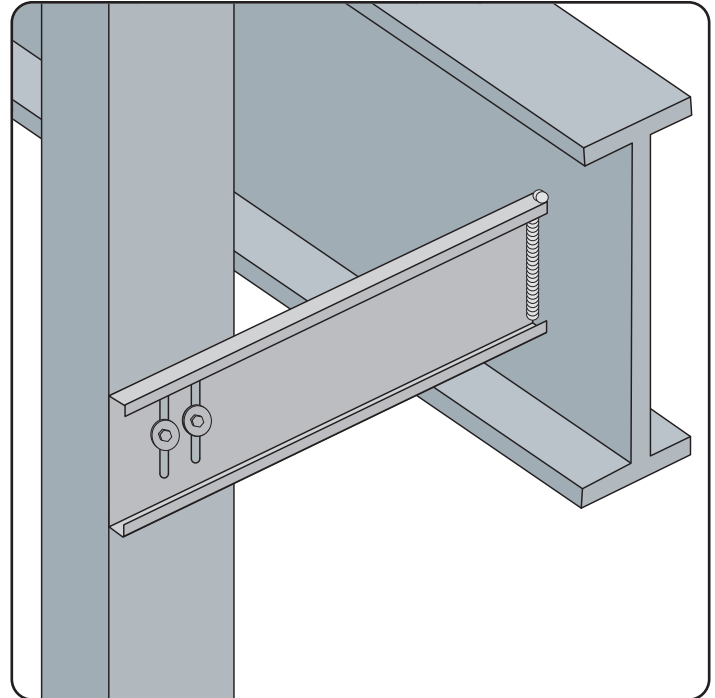
**PRODUCTS™**

# STS: Slotted Stud Sticker

- Custom Sizes Available, Contact Customer Service For Details
- Available in Galvanized Steel (GS)

The Slotted Stud Sticker is an extended single shear connector. It is used for horizontal surface applications and offers a higher capability of any horizontal surface connection clip. Can be connected to a beam by clip or welded directly to it. Slotted connectors to allow for vertical deflection.

**Note:** 3/8" returns on 16 ga or thinner, 3/4" returns on 12ga or thicker.



### Most Common Sizes

**X Sizes:** User Defined

**Y Sizes:** User Defined

**Z Sizes:** User Defined

**Slot Spacing:** User Defined

### Materials And Finishes:

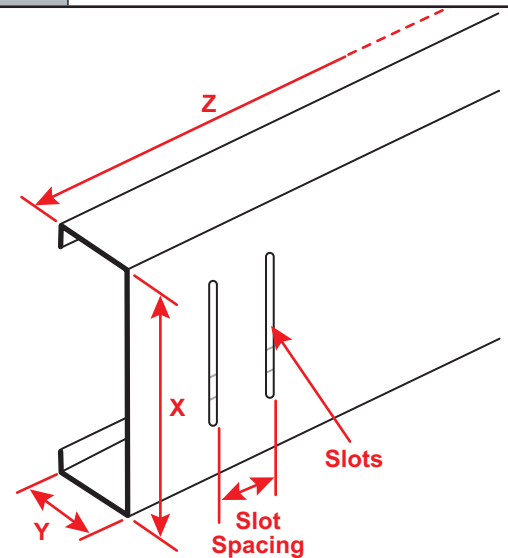
Details: [stpro.us/MET](http://stpro.us/MET)

Galvanized Steel (GS)

### ASTM Codes:

Details: [stpro.us/ASTM](http://stpro.us/ASTM)

A1003, A653, A924, C645, C754, C955



**QUOTE**

Company: \_\_\_\_\_  
 Name: \_\_\_\_\_  
 Address: \_\_\_\_\_  
 City: \_\_\_\_\_  
 State/ZIP: \_\_\_\_\_  
 Phone: \_\_\_\_\_  
 eMail: \_\_\_\_\_

QTY: \_\_\_\_\_  
 Material/Gauge: \_\_\_\_\_  
 X Size: \_\_\_\_\_  
 Y Size: \_\_\_\_\_  
 Z Size: \_\_\_\_\_  
 Slot Spacing: \_\_\_\_\_

PO Number: \_\_\_\_\_  
 Job/Project: \_\_\_\_\_  
 Notes: \_\_\_\_\_  
 \_\_\_\_\_  
 \_\_\_\_\_

**877-786-2587 • StocktonProducts.com**

