



CUSTOM SIZES AVAILABLE!

Stockton Custom Fabrication

877-786-2587

custom@StocktonProducts.com

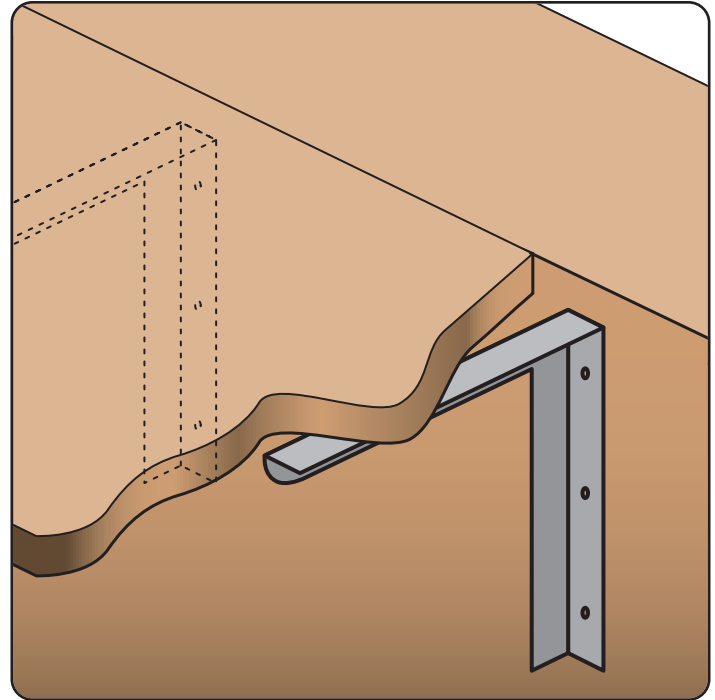


PRODUCTS™

S-B: Counter Support Bracket

- Custom Sizes Available, Contact Customer Service For Details
- Features A Radiused Top Bar For Your Protection
- Available in 1/8", 3/16" or 1/4" Hot Rolled Steel (HR)

Our Counter Support Bracket are 90° support brackets are made from a single piece of material, then notched, bent and welded. The reinforced side wall offers greater support for your project.

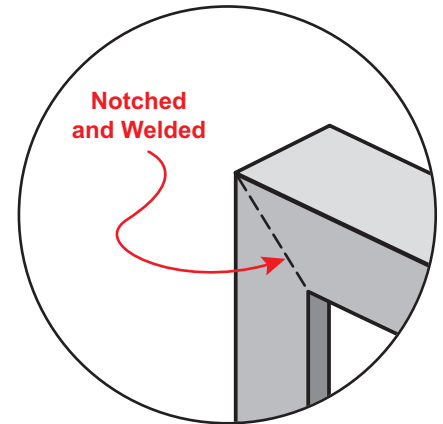
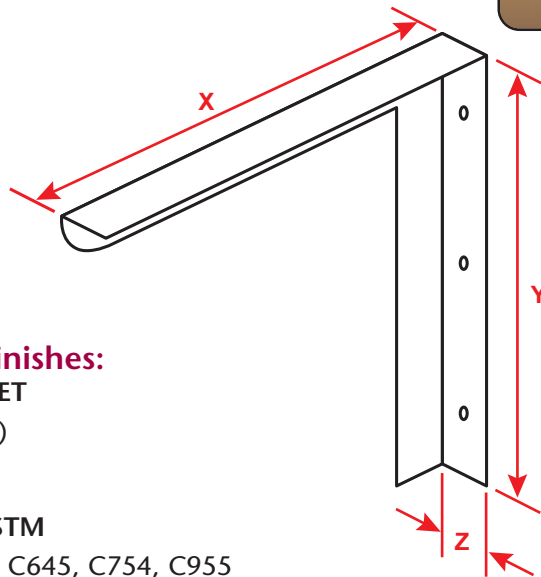


Most Common Sizes

X Sizes: User Defined

Y Sizes: User Defined

Z Sizes: User Defined



Materials And Finishes:

Details: stpro.us/MET

Hot Rolled Steel (HR)

ASTM Codes:

Details: stpro.us/ASTM

A1003, A653, A924, C645, C754, C955

QUOTE	Company: _____	QTY: _____	PO Number: _____
	Name: _____	Material/Gauge: _____	Job/Project: _____
	Address: _____	X Size: _____	Notes: _____
	City: _____	Y Size: _____	_____
	State/ZIP: _____	Z Size: _____	_____
	Phone: _____		_____
	eMail: _____		_____

877-786-2587 • StocktonProducts.com

