



**CUSTOM SIZES AVAILABLE!**

Stockton Custom Fabrication

877-786-2587

custom@StocktonProducts.com

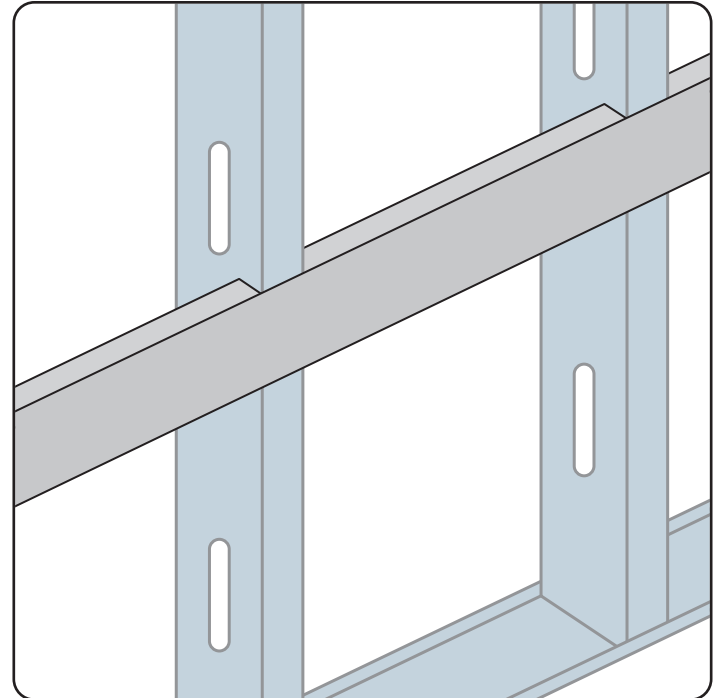


**PRODUCTS™**

# NTK: Notch Track

- Custom Sizes Available, Contact Customer Service For Details
- Available in Galvanized Steel (GS)

Used for floor joist blocking or horizontal backing in walls to allow support mounting various items to the walls.



### Most Common Sizes

**X Sizes:** User Defined

**Y Sizes:** User Defined

**Z Sizes:** User Defined

**Notch Size:** 1 3/4" to 2 1/4"

### Most Common Lengths

**Z=16":** 112", 128" or 144"

**Z=24":** 96", 120" or 144"

### Materials And Finishes:

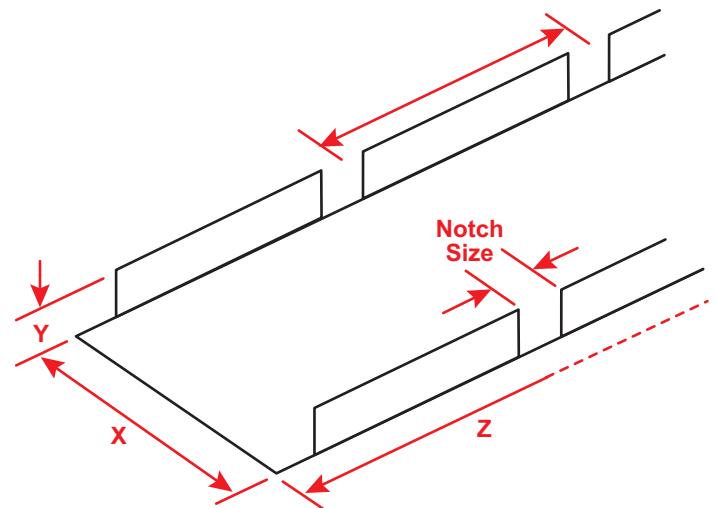
Details: [stpro.us/MET](http://stpro.us/MET)

Galvanized Steel (GS)

### ASTM Codes:

Details: [stpro.us/ASTM](http://stpro.us/ASTM)

All Accessories are fabricated from prime galvanized steel G90 zinc coating by the hot dipped method, conforming to steel and coating specification ASTM A-653/A-653M or zinc alloy meeting ASTM B-69. Stainless Steel A480/A480M A580M (Stainless Steel) For installation and placement instructions refer to ASTM C1063, C841 and C926.



<b>QUOTE</b>	Company: _____	QTY: _____	PO Number: _____
	Name: _____	Material/Gauge: _____	Job/Project: _____
	Address: _____	X Size: _____	Notes: _____
	City: _____	Y Size: _____	_____
	State/ZIP: _____	Z Size: _____	_____
	Phone: _____	Notch Size: _____	_____
	eMail: _____		_____

**877-786-2587 • StocktonProducts.com**

