



CUSTOM SIZES AVAILABLE!

Stockton Custom Fabrication

877-786-2587

custom@StocktonProducts.com

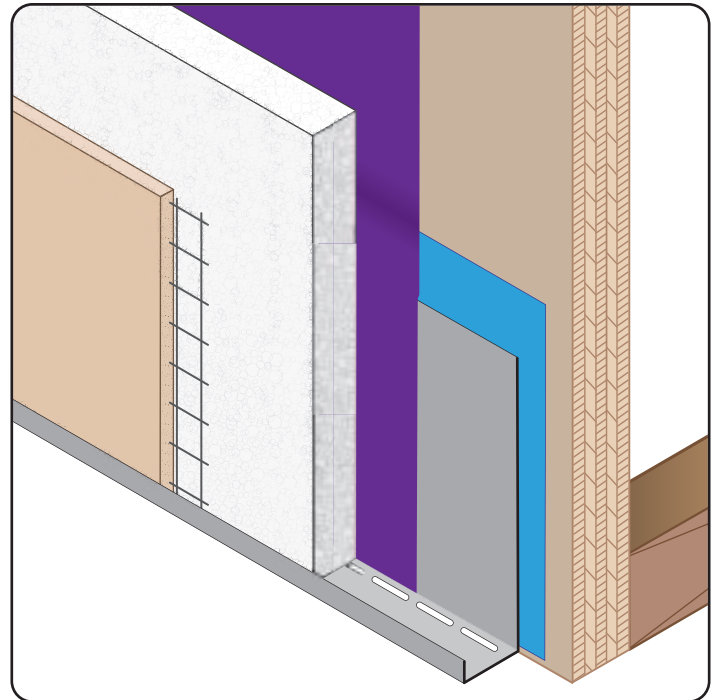
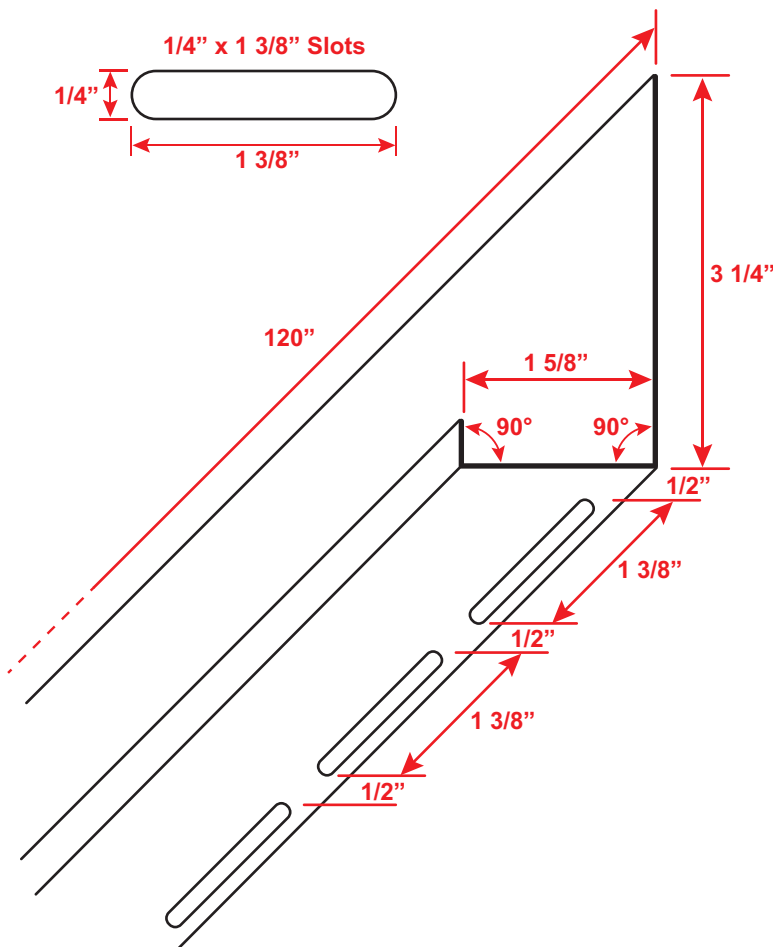


PRODUCTS™

DWS: Slotted Weep Scream

- Custom Sizes Available, Contact Customer Service For Details
- Available in Aluminum (A), Copper (C), Galvanized Steel (GS), Bonderized (BN), Galvalume® (GVM), Stainless Steel (SS) or Zinc (Z)

The Slotted Weep Scream is a single piece weep screed specifically designed provide a route for moisture to escape. Weep slots are located along the back of the weep screed allow moisture to efficiently exit the stucco assembly.



Materials And Finishes:

Details: stpro.us/MET

Aluminum (A), Copper (C), Galvanized Steel (GS), Bonderized (BN), Galvalume® (GVM), Stainless Steel (SS) or Zinc (Z)

ASTM Codes:

Details: stpro.us/ASTM

All Accessories are fabricated from prime galvanized steel G90 zinc coating by the hot dipped method, conforming to steel and coating specification ASTM A-653/A-653M or zinc alloy meeting ASTM B-69. Stainless Steel A480/A480M A580M (Stainless Steel) For installation and placement instructions refer to ASTM C1063, C841 and C926.

Most Common Part Numbers:

DWS1585314 038 DWS: Slotted Weep Scream

QUOTE

Company: _____
 Name: _____
 Address: _____
 City: _____
 State/ZIP: _____
 Phone: _____
 eMail: _____

QTY: _____

PO Number: _____

Job/Project: _____

Notes: _____

877-786-2587 • StocktonProducts.com

