



CUSTOM SIZES AVAILABLE!

Stockton Custom Fabrication

877-786-2587

custom@StocktonProducts.com



PRODUCTS™

D-T: Slotted Drift Track

- Custom Sizes Available, Contact Customer Service For Details
- Available in Galvanized Steel (GS)

Our Drift Track is a deflection track with slots in the legs to allow for vertical deflection, and slots in the web to allow for horizontal drift when required by seismic designs. Giving you head of wall vertical deflection and the added horizontal drift movement.

Most Common Sizes

A (Slot Size): 1 1/2", 2", 2 1/2", 3", 3 1/2" or 4"

B (Leg Size): 2 1/2", 3", 3 1/2", 4", 4 1/2" or 5"

W (Web Width): 1 5/8", 2 1/2", 3 1/2", 3 5/8", 4", 6", 8", 10", 12" or 14"

Length: 120" or 144"

Materials And Finishes:

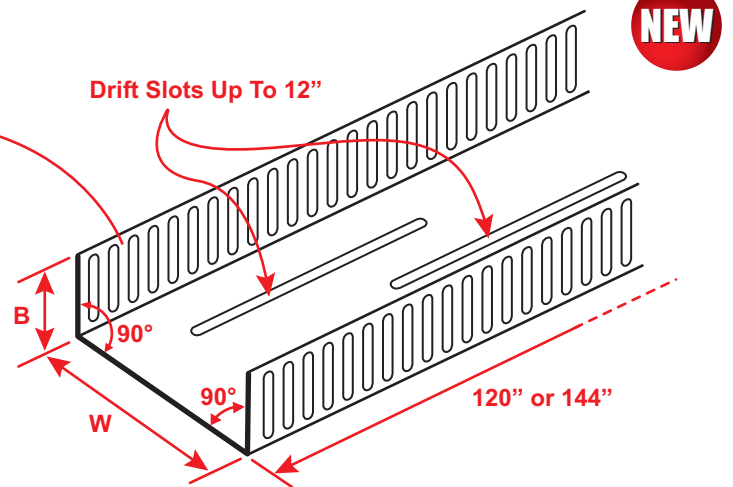
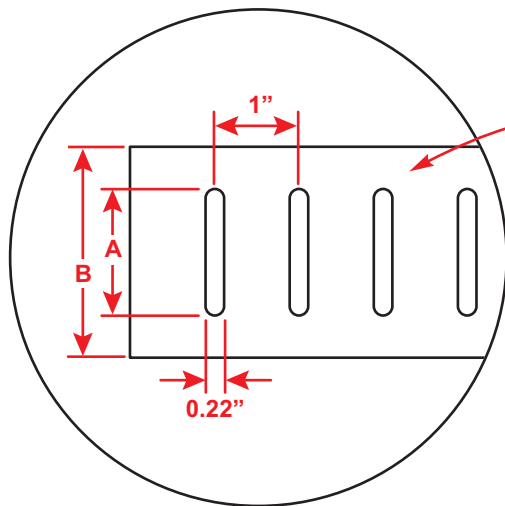
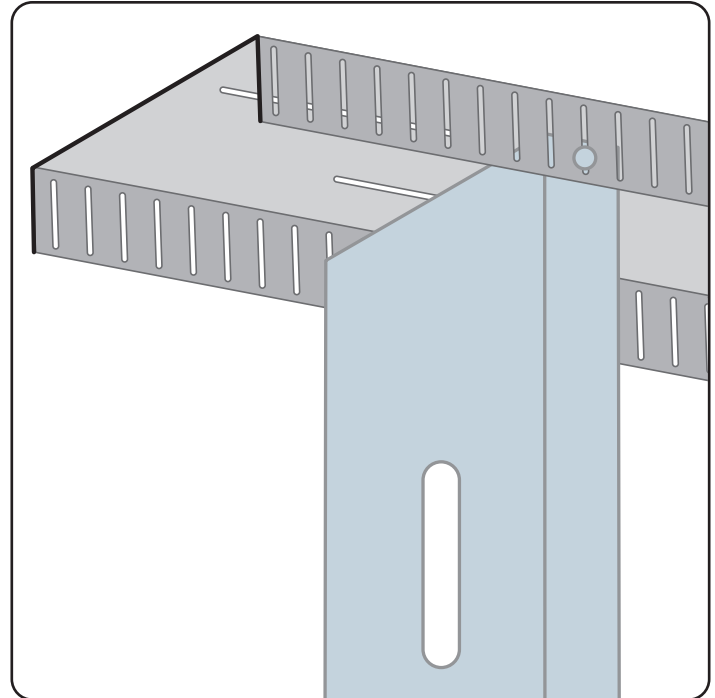
Details: www.stpro.us/MET

Galvanized Steel (GS)

ASTM Codes:

Details: www.stpro.us/ASTM

A1003, A653, A924, C645, C754, C955



QUOTE	Company: _____	QTY: _____	PO Number: _____
	Name: _____	Material/Gauge: _____	Job/Project: _____
	Address: _____	A Size: _____	Notes: _____
	City: _____	B Size: _____	_____
	State/ZIP: _____	W Size: _____	_____
	Phone: _____	Length: _____	_____
	eMail: _____	Drift Slot Size: _____	_____

877-786-2587 • StocktonProducts.com

