



CUSTOM LENGTHS AVAILABLE!

Stockton Custom Fabrication
877-786-2587
custom@StocktonProducts.com



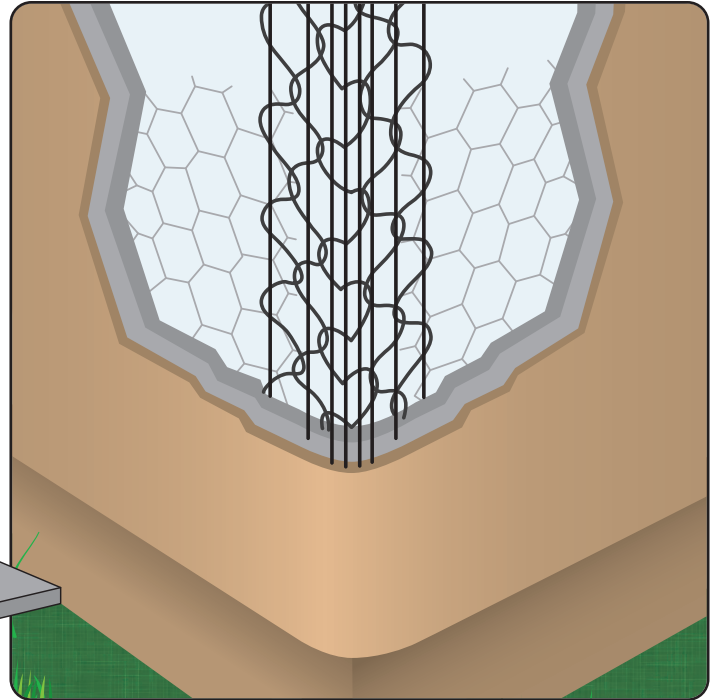
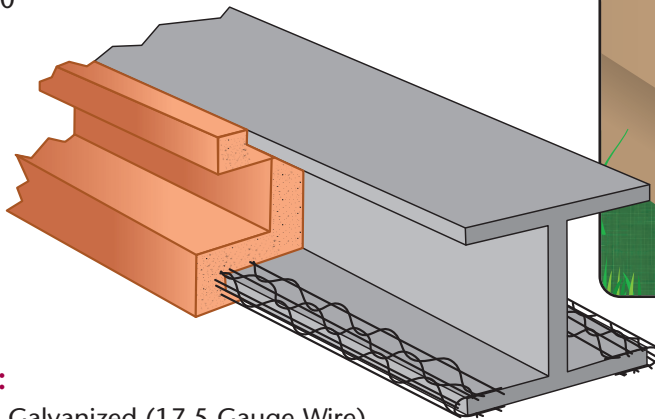
BNR: Bullnose

- Available In 7/8" Radius
- Available in Galvanized or Stainless Steel

Used when a larger radius rounded corners are desired. A larger 7/8" radius (tennis ball size). The 7/8" creates a more rounded Spanish or Mediterranean architectural look. Nominally 2 3/8" legs. Available in stainless steel to be used with absolute confidence in high humidity and salt air environments.

Per Carton

Total Feet: 400'
Pieces: 40
Length: 10'



Materials:

Class 1 G60 Galvanized (17.5 Gauge Wire),
Stainless Steel (17.5 Gauge Wire)
316L Stainless 18% Chromium



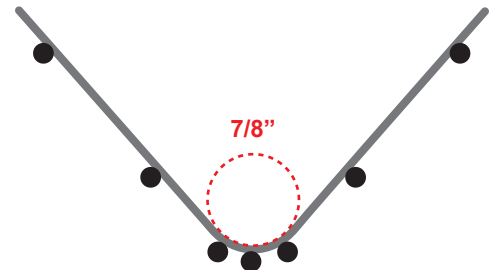
ASTM Codes:

Details: stpro.us/ASTM

1063, 924, 641/A641 M-03, 653, 841, 580, Galvanized - C1063 & A924,
Federal Spec QQ-S-775-D, 200 IBC, 2007 CBC

Most Common Part Numbers:

BNR7810 BNR: 7/8" Bullnose, GS, 10'
BNR7810SS BNR: 7/8" Bullnose, SS, 10'



Note: Standard length is 10 feet. Additional lengths available upon request.

QUOTE	Company: _____	QTY: _____	PO Number: _____
	Name: _____	Material/Gauge: _____	Job/Project: _____
	Address: _____	Length: _____	Notes: _____
	City: _____		_____
	State/ZIP: _____		_____
	Phone: _____		_____
	eMail: _____		_____

877-786-2587 • StocktonProducts.com

