



CUSTOM SIZES AVAILABLE!

Stockton Custom Fabrication

877-786-2587

custom@StocktonProducts.com



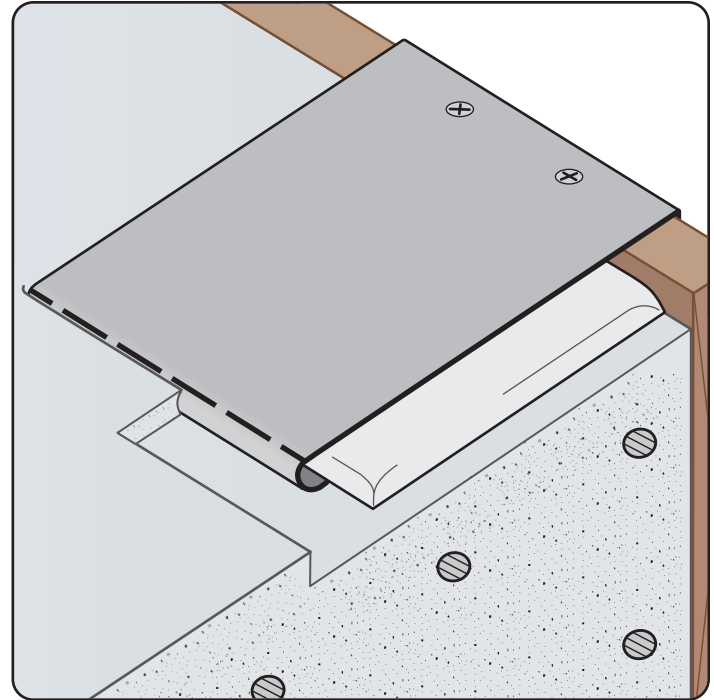
PRODUCTS™

BFC: Breakaway Form Clip

- Custom Sizes Available, Contact Customer Service For Details

The Breakaway Form Clip is designed to be temporarily mounted to the wood form of your concrete pad project to hold the anchor plate squarely in place. Once the concrete is cured, simply remove the fastening nails or screws and lift up the Breakaway Form Clip and it will snap off leaving you with a nice flat anchor plate. With the optional Clip with protruding slots you can also use Breakaway Form Clip with protruding anchor bolts.

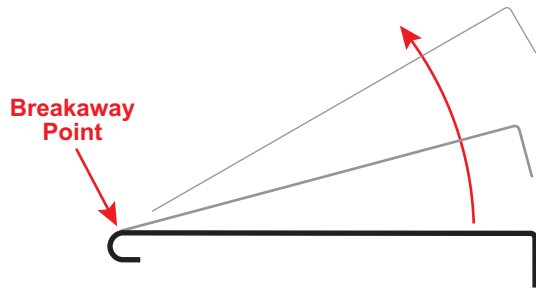
US Patent 11,035,115



Most Common Sizes

X Size: 4", 6" or 8"

Y Size: User Defined



Materials And Finishes:

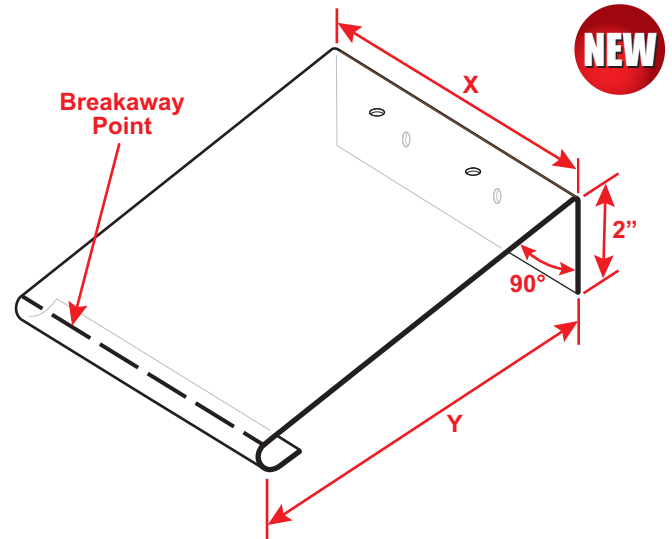
Details: www.StocktonProducts.com/metal_materials

- 16 gauge galvanized steel. Custom gauges available upon request

ASTM Codes:

Details: www.StocktonProducts.com/astm

- ASTM A653



QUOTE	Company: _____	QTY: _____	PO Number: _____
	Name: _____	Material/Gauge: _____	Job/Project: _____
	Address: _____	X Size: _____	Notes: _____
	City: _____	Y Size: _____	_____
	State/ZIP: _____		_____
	Phone: _____		_____
	eMail: _____		_____

877-786-2587 • StocktonProducts.com

